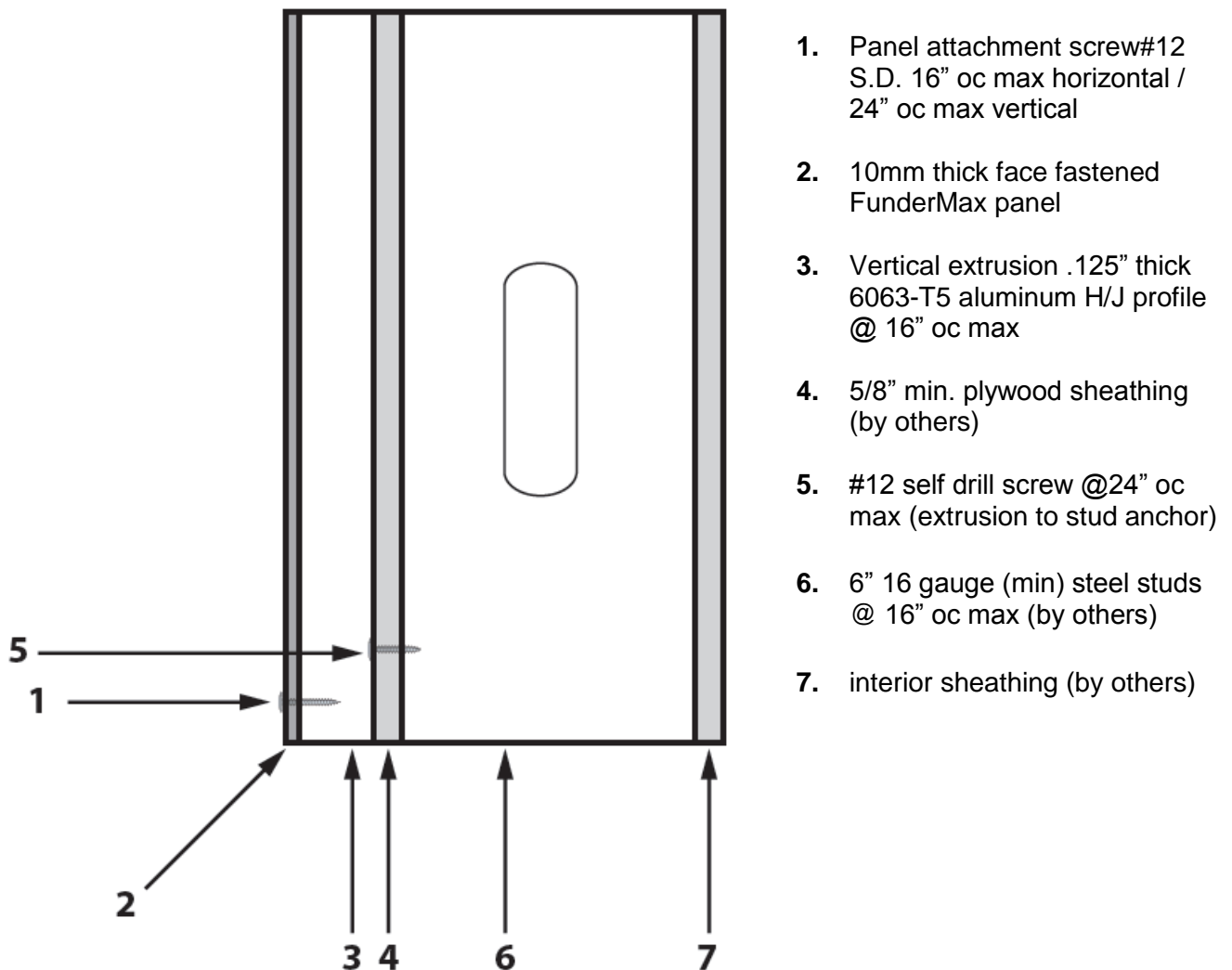


High Velocity Hurricane Zone (HVHZ) Testing

Technical Document

FunderMax has been tested per Florida Building Code, Test Protocols for High Velocity Hurricane. Zones, Protocols TAS 202-94* and TAS 203-94**.

The result met the performance requirements for a -90.00 PSF Design Pressure rating.



***TAS 202-94** Criteria for Testing Impact and Non-Impact Resistant Building Envelope Components Using Uniform Static Air Pressure Loading As Required by Florida Building Code Section 1620

**** TAS 203-94** Criteria for Testing Products Subject to Cyclic Wind Pressure Loading As Required by Florida Building Code Section 1625