

FACADES - BRICK

KPV-DS-01-BRH	C & I DISCLAIMER
KPV-PJ-01-BRH	EXPANDED PANEL JOINT
KPV-PJ-02-BRH	ENGAGED PANEL JOINT
KPV-PJ-03-BRH	INTERMEDIATE SUPPORT
KPV-BS-01-BRH	BASE DETAIL FLUSH
KPV-BS-02-BRH	BASE AT NOTCHED CONCRETE
KPV-BS-03-BRH	BASE AT OVERHANG
KPV-OC-01-BRH	OUTSIDE CORNER
KPV-IC-01-BRH	INSIDE CORNER
KPV-FO-01-BRH	FRAMED OPENING HEAD
KPV-FO-02-BRH	FRAMED OPENING JAMB
KPV-FO-03-BRH	FRAMED OPENING SILL
KPV-SJ-01-BRH	STACK JOINT
KPV-PR-01-BRH	PARAPET DETAIL
KPV-LE-01-BRH	LOW EAVE DETAIL
KPV-RD-01-BRH	RAKE DETAIL
KPV-TP-01-BRH	PANEL TERMINATION
KPV-TL-01-BRH	TRIM END LAP
KPV-TL-02-BRH	TRIM END LAP WITH HEMS

INDEX SHEET

DETAIL #: KPH-XX-XX-BRH

DATE: 08-13-14

www.kingspanpanels.us
www.kingspanpanels.ca

FACADES - BRICK

DISCLAIMERS:

THESE DETAILS ARE PROVIDED AS A GUIDELINE FOR PROPER PANEL AND ASSOCIATED COMPONENT INSTALLATION, AND ARE BASED ON INDUSTRY ACCEPTED PRACTICES.

LOCATION OF VAPOR BARRIERS AND ASSOCIATED SEALANTS IN THESE DETAILS ARE BASED ON TYPICAL DESIGN PRACTICES FOR MOST U.S. AND CANADIAN CLIMACTIC ZONES. (THE PRIMARY VAPOR BARRIER IS PLACED ON THE "WARM" SIDE IN WINTER).

PROJECTS LOCATED IN AREAS SUBJECT TO EXTREME COLD AND/OR HIGH SNOW LOADS MAY REQUIRE MODIFICATIONS TO THESE DETAILS - CONTACT KINGSPAN TECHNICAL SERVICES FOR SPECIFIC PROJECT RECOMMENDATIONS.

ALL STRUCTURAL SUPPORTS ARE NOT BY KINGSPAN AND ARE SHOWN FOR CLARIFICATION AND ILLUSTRATION PURPOSES ONLY.

WALL SYSTEM DEFLECTIONS ARE TO BE DETERMINED BY THE ENGINEER OF RECORD.

ALL STRUCTURAL SUPPORTS ARE NOT BY KINGSPAN AND ARE SHOWN FOR CLARIFICATION AND ILLUSTRATION PURPOSES ONLY.

CONTACT KINGSPAN TECHNICAL SERVICES FOR MAXIMUM ALLOWABLE PANEL SPANS AND FASTENING PATTERNS.

DISCLAIMER

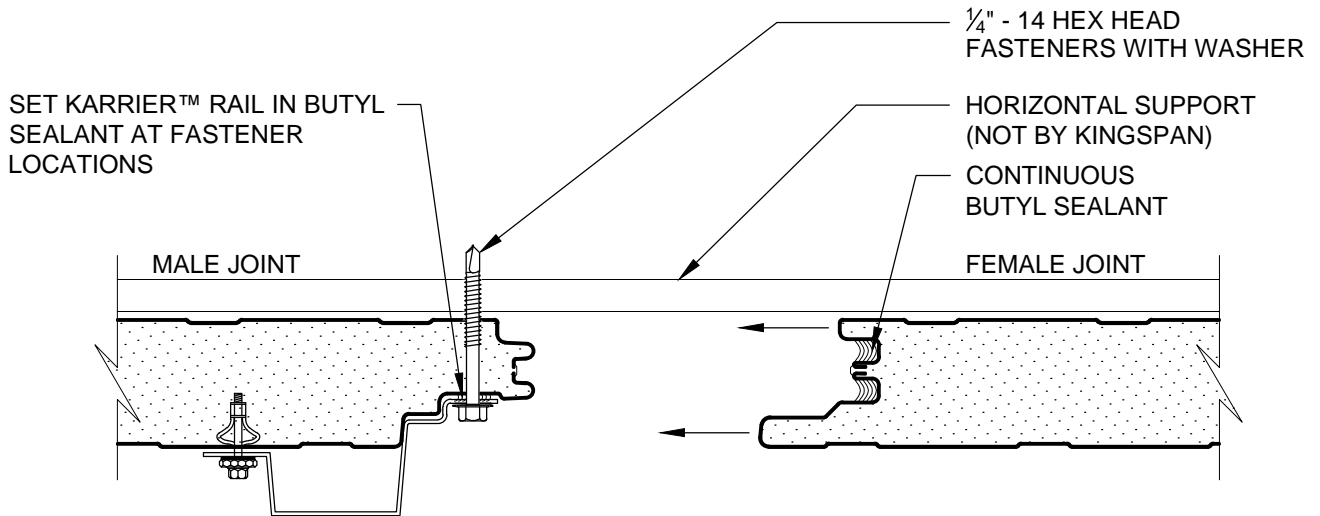
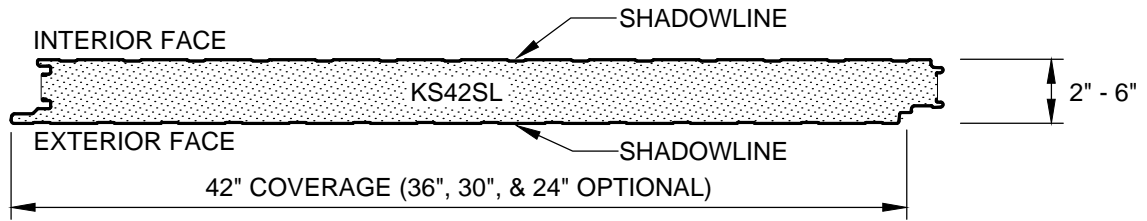
DETAIL #: KPV-DS-01-BRH

DATE: 08-13-14

© Copyright 2014 Kingspan Panels, Inc. All Rights Reserved. No part of this document may be reproduced without written permission from Kingspan Panels, Inc.

www.kingspanpanels.us
www.kingspanpanels.ca

FACADES - BRICK



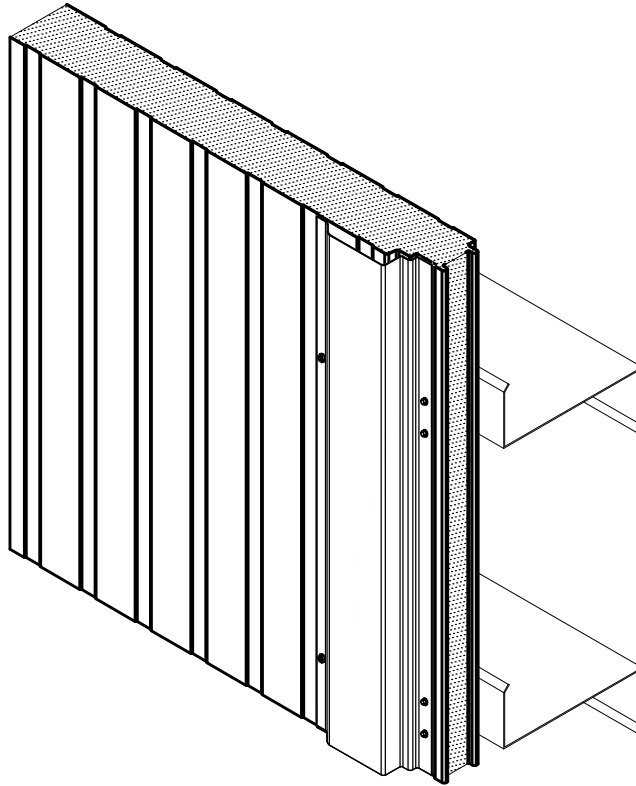
EXPANDED PANEL
JOINT

DETAIL #: KPV-PJ-01-BRH

DATE: 08-13-14

www.kingspanpanels.us
www.kingspanpanels.ca

FACADES - BRICK

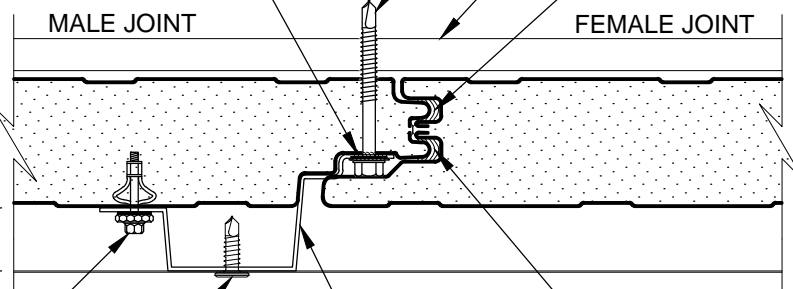


SET KARRIER™ RAIL IN BUTYL SEALANT AT FASTENER LOCATIONS

1/4" - 14 HEX HEAD FASTENERS WITH WASHER

HORIZONTAL SUPPORT (NOT BY KINGSPAN)

CONTINUOUS BUTYL SEALANT



EXPANSION FASTENER AS REQUIRED

CONTINUOUS BUTYL SEALANT (OPTIONAL)

BRICK SUPPORT TRAY

#10 TEK FASTENER
CONTINUOUS KARRIER™ RAIL
(KARRIER™ RAIL AVAILABLE IN 1" - 3" FACES)

WALL PANEL INSTALLATION DIRECTION →

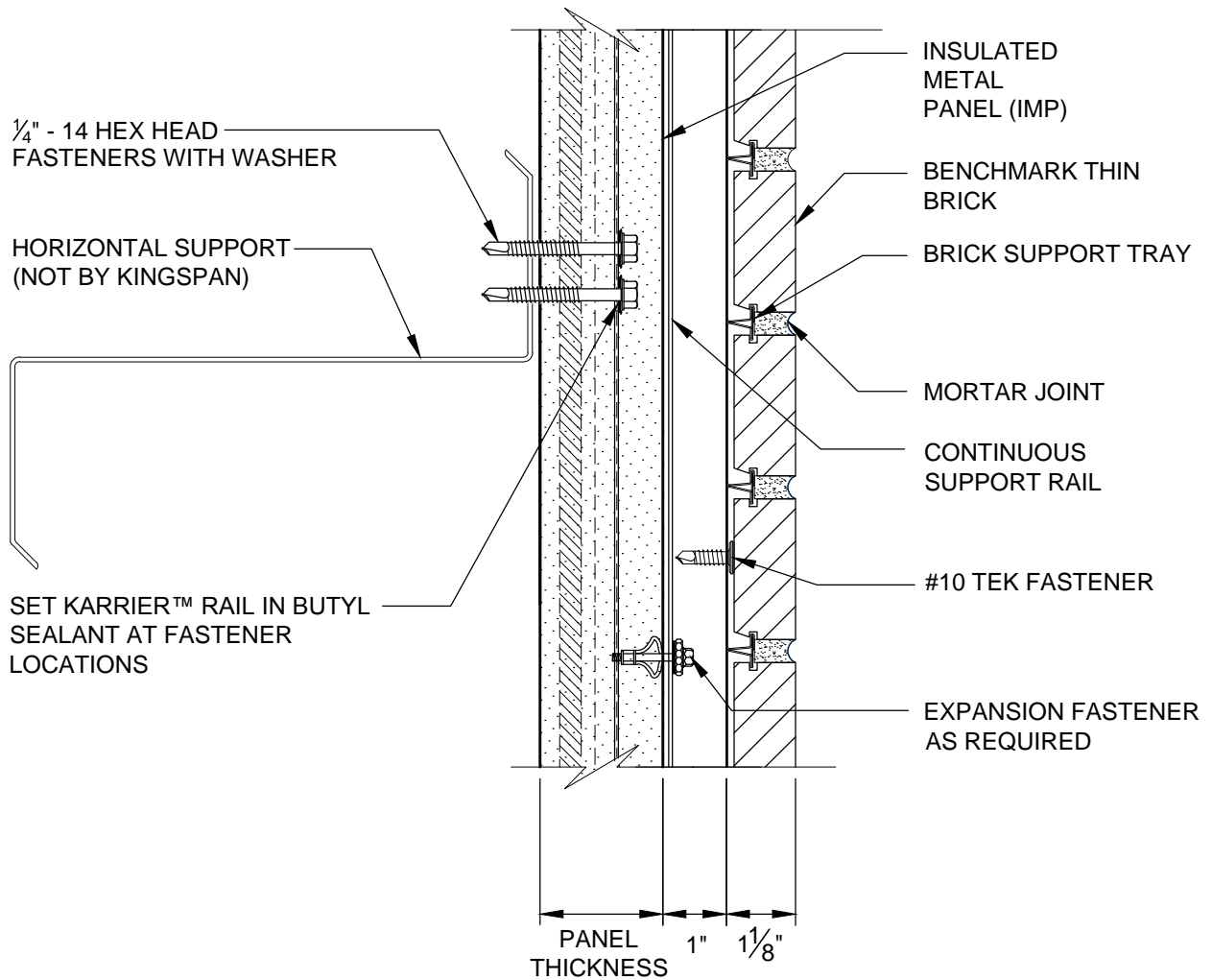
ENGAGED PANEL JOINT

DETAIL #: KPV-PJ-02-BRH

DATE: 08-13-14

www.kingspanpanels.us
www.kingspanpanels.ca

FACADES - BRICK



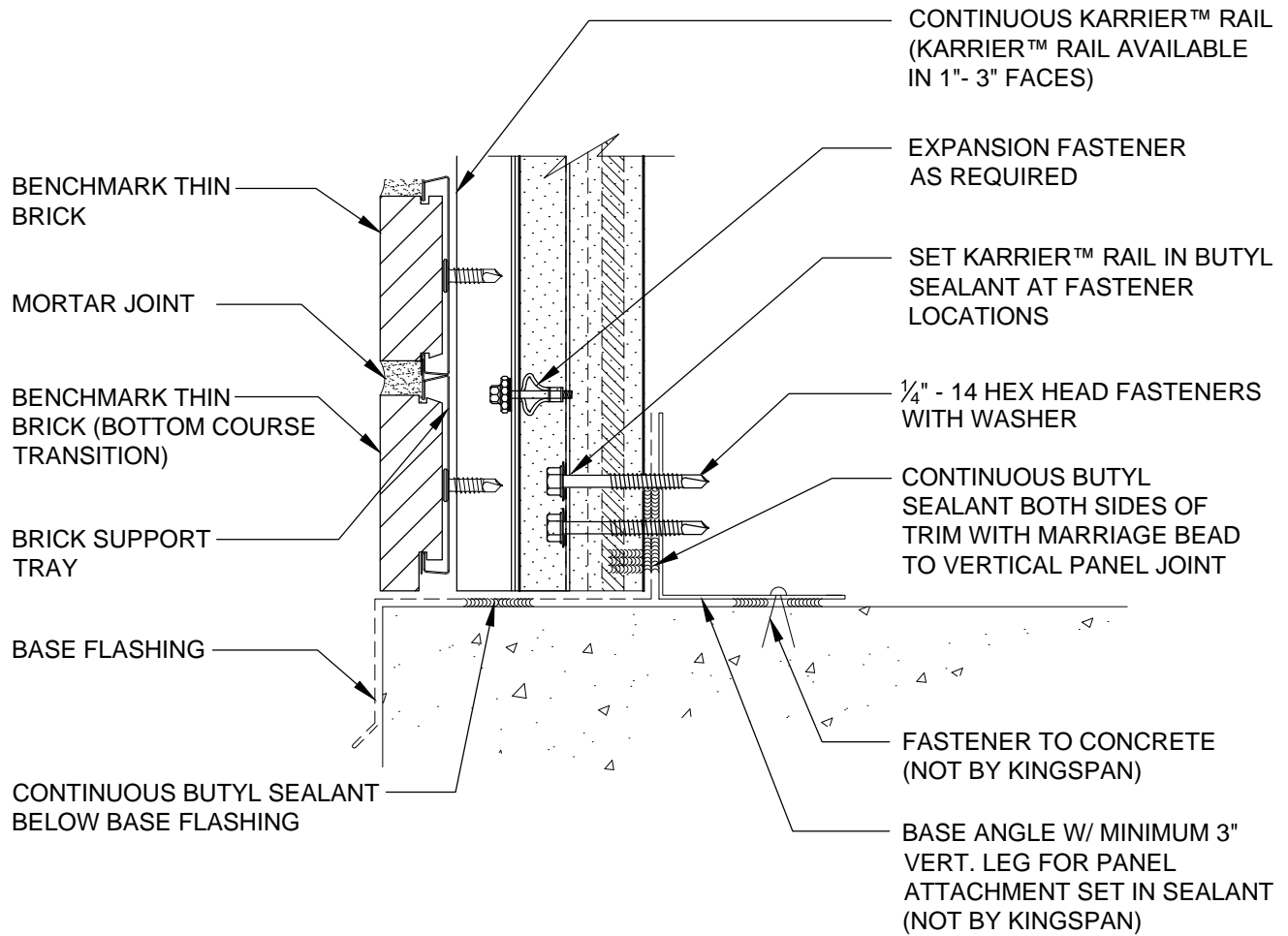
INTERMEDIATE
SUPPORT

DETAIL #: KPV-PJ-03-BRH

DATE: 08-13-14

www.kingspanpanels.us
www.kingspanpanels.ca

FACADES - BRICK



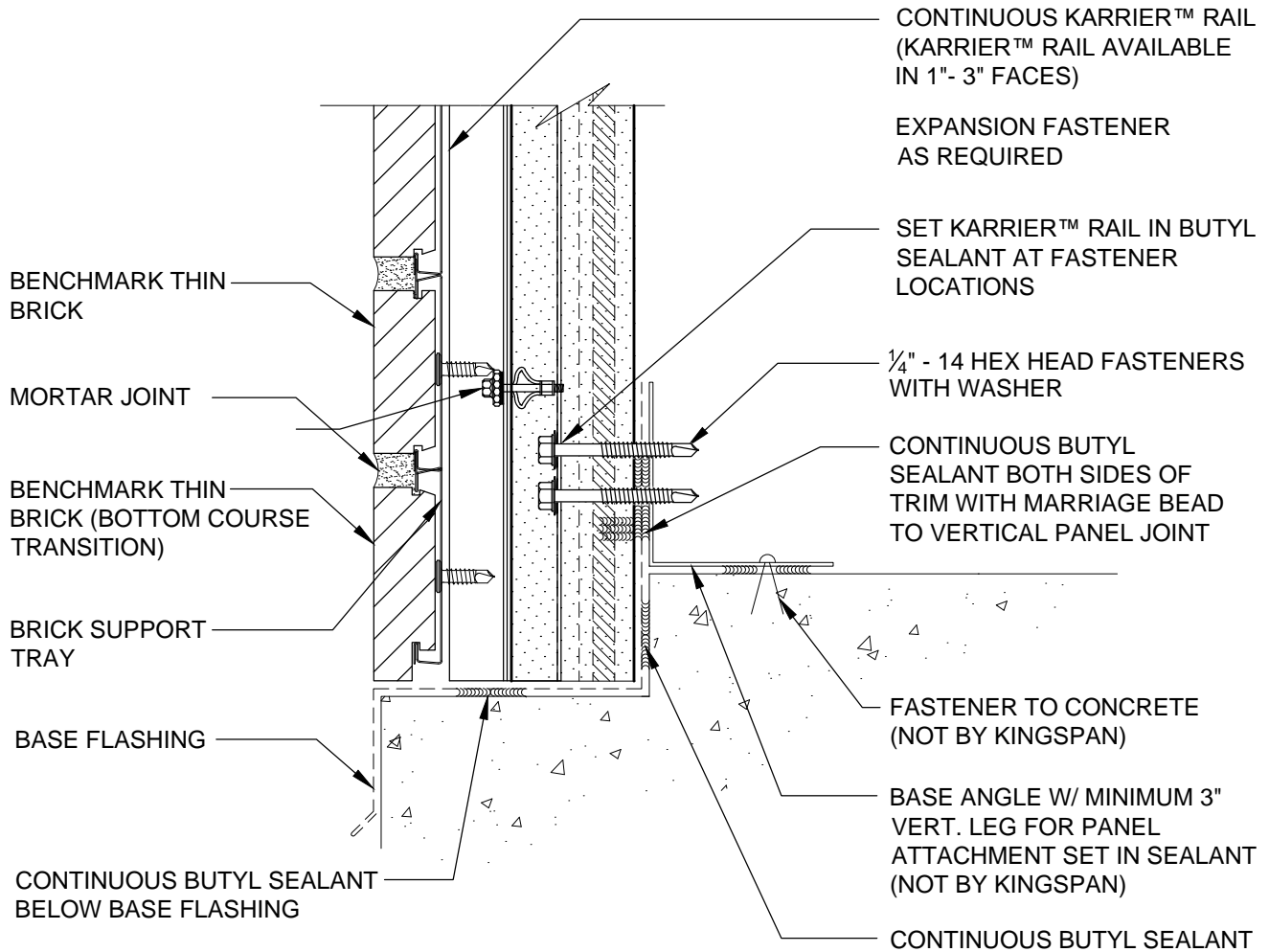
**BASE DETAIL
FLUSH**

DETAIL #: KPV-BS-01-BRV

DATE: 08-13-14

www.kingspanpanels.us
www.kingspanpanels.ca

FACADES - BRICK



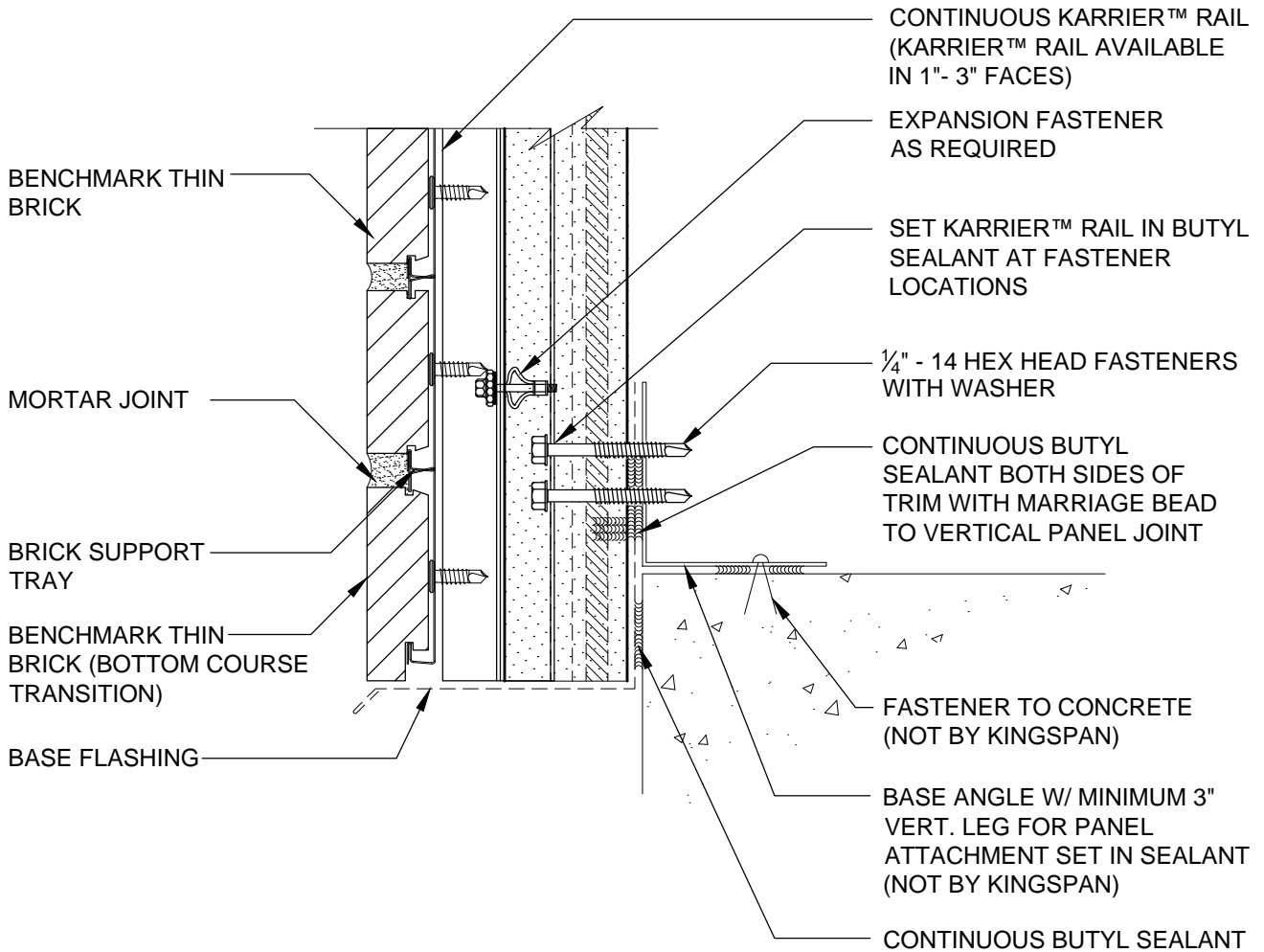
**BASE AT NOTCHED
CONCRETE**

DETAIL #: KPV-BS-02-BRH

DATE: 08-13-14

www.kingspanpanels.us
www.kingspanpanels.ca

FACADES - BRICK



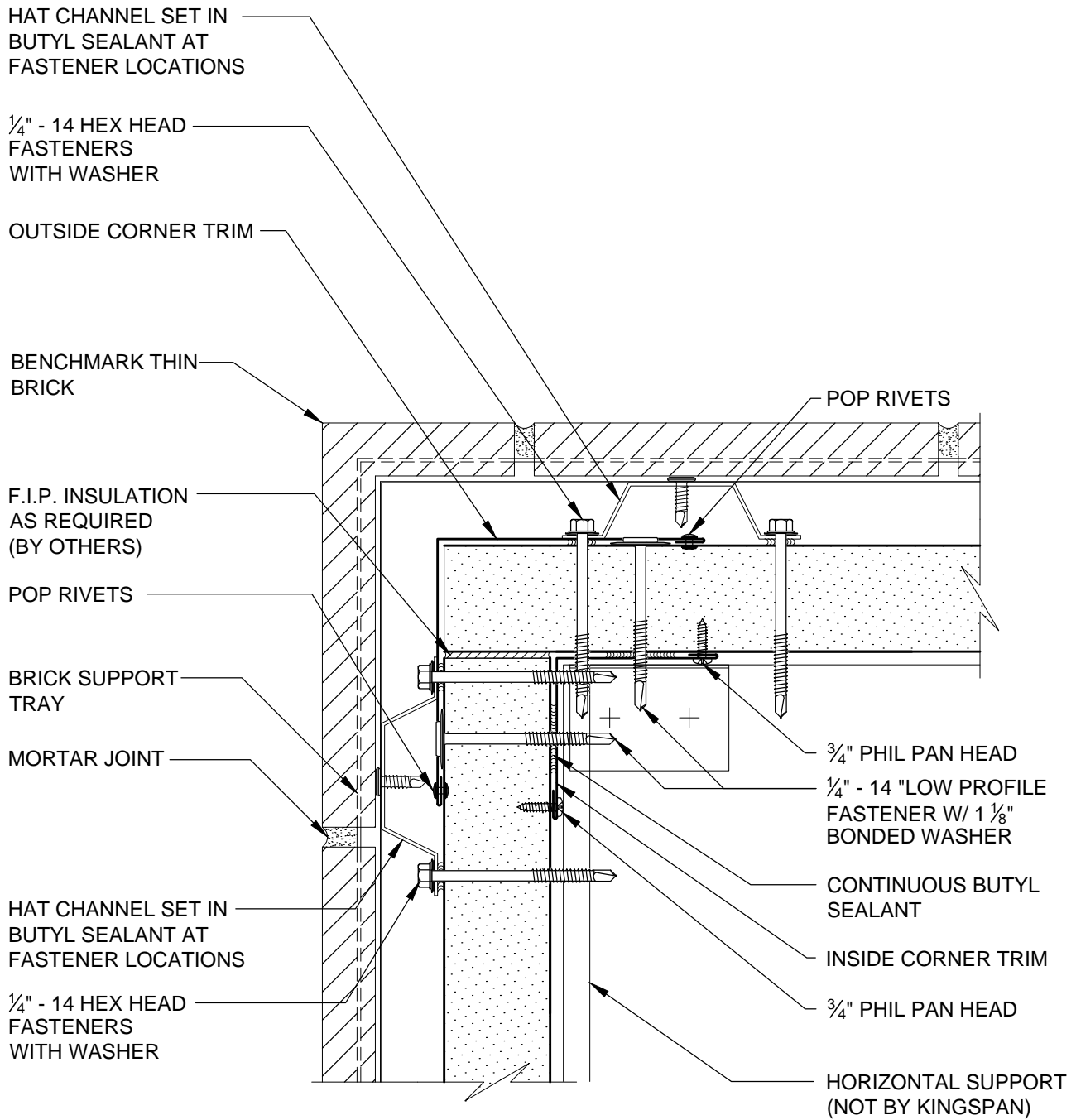
BASE AT OVERHANG

DETAIL #: KPV-BS-03-BRH

DATE: 08-13-14

www.kingspanpanels.us
www.kingspanpanels.ca

FACADES - BRICK



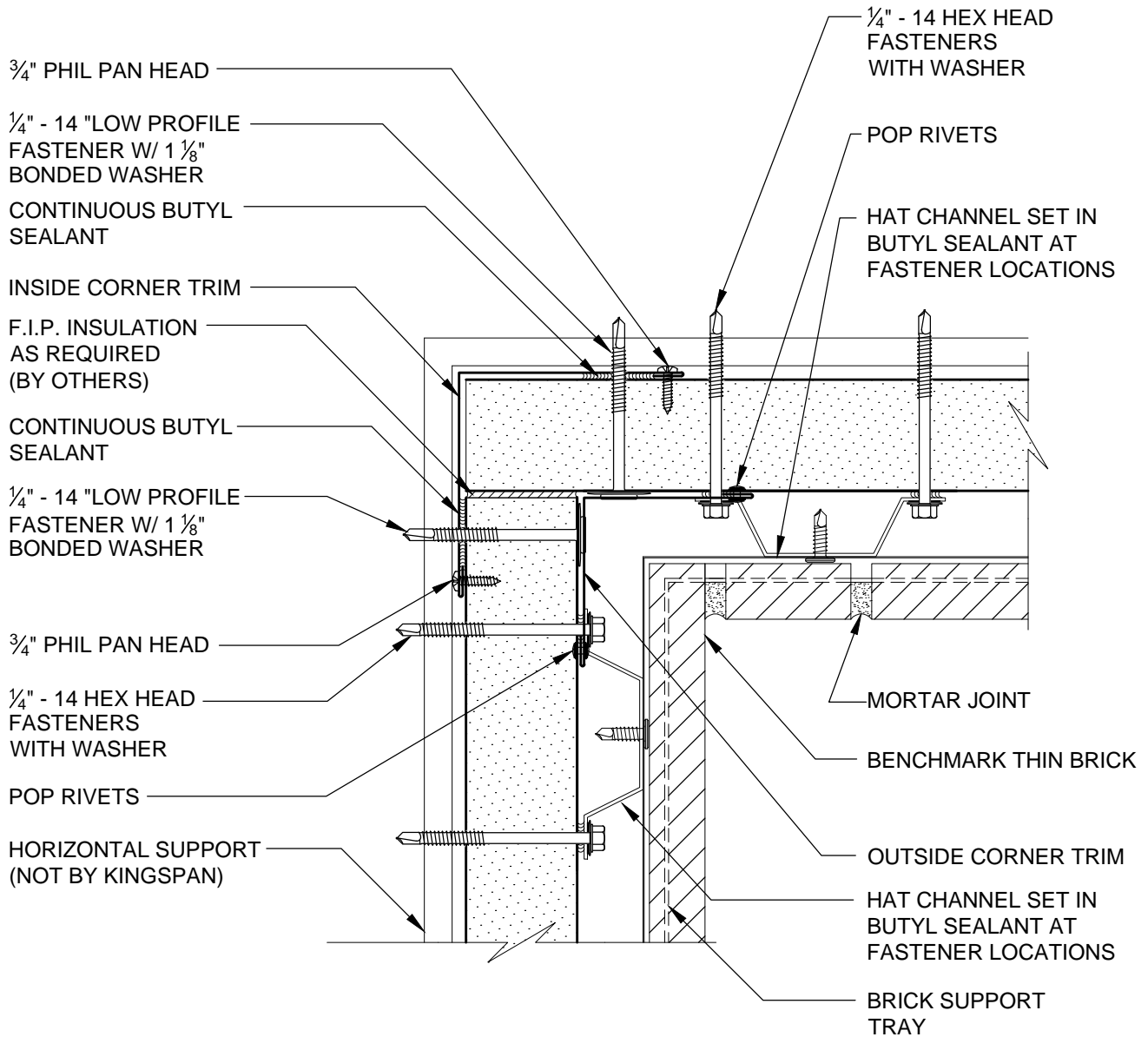
OUTSIDE CORNER

DETAIL #: KPV-OC-01-BRH

DATE: 08-13-14

www.kingspanpanels.us
www.kingspanpanels.ca

FACADES - BRICK



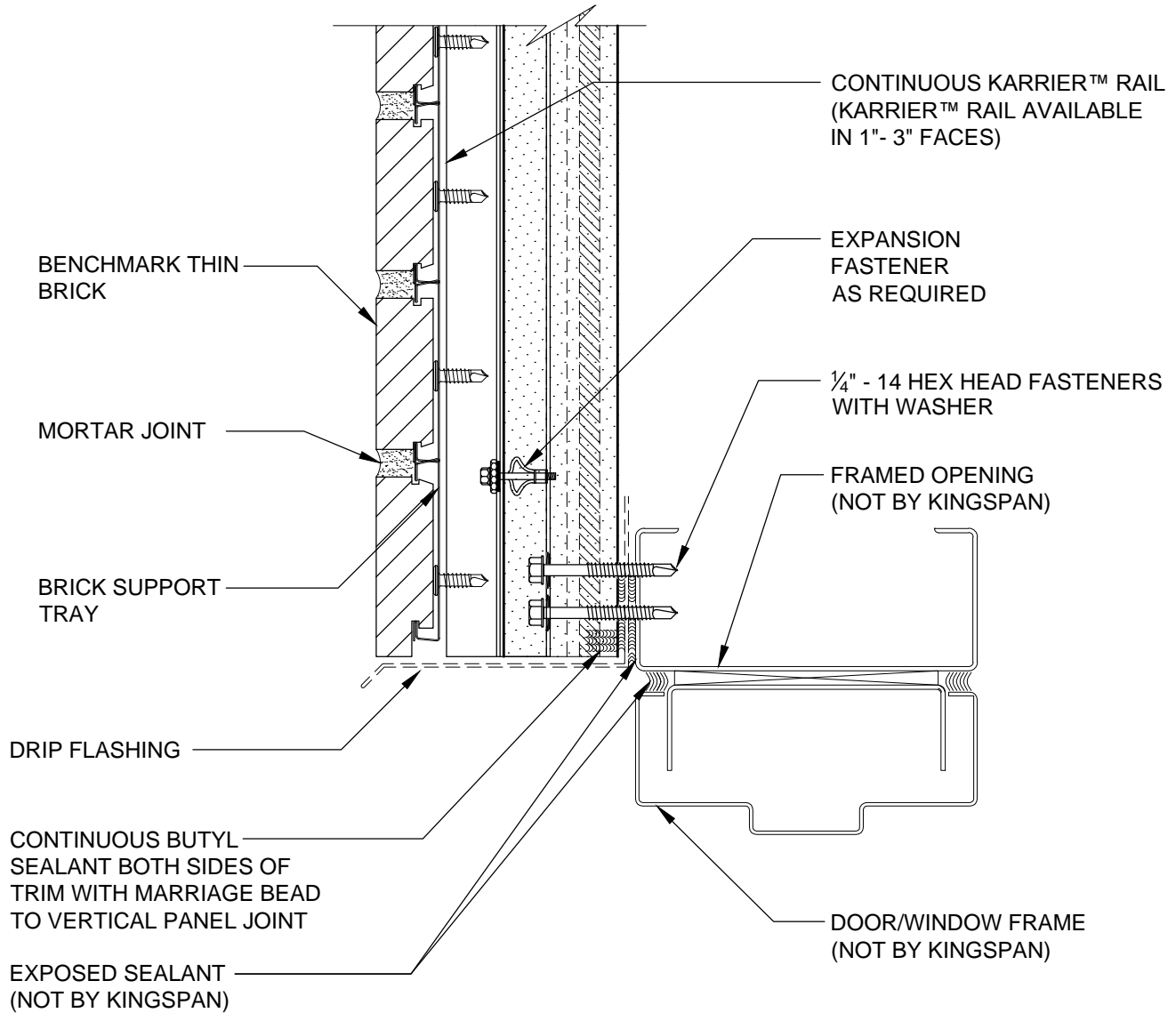
INSIDE CORNER

DETAIL #: KPV-IC-01-BRH

DATE: 08-13-14

www.kingspanpanels.us
www.kingspanpanels.ca

FACADES - BRICK



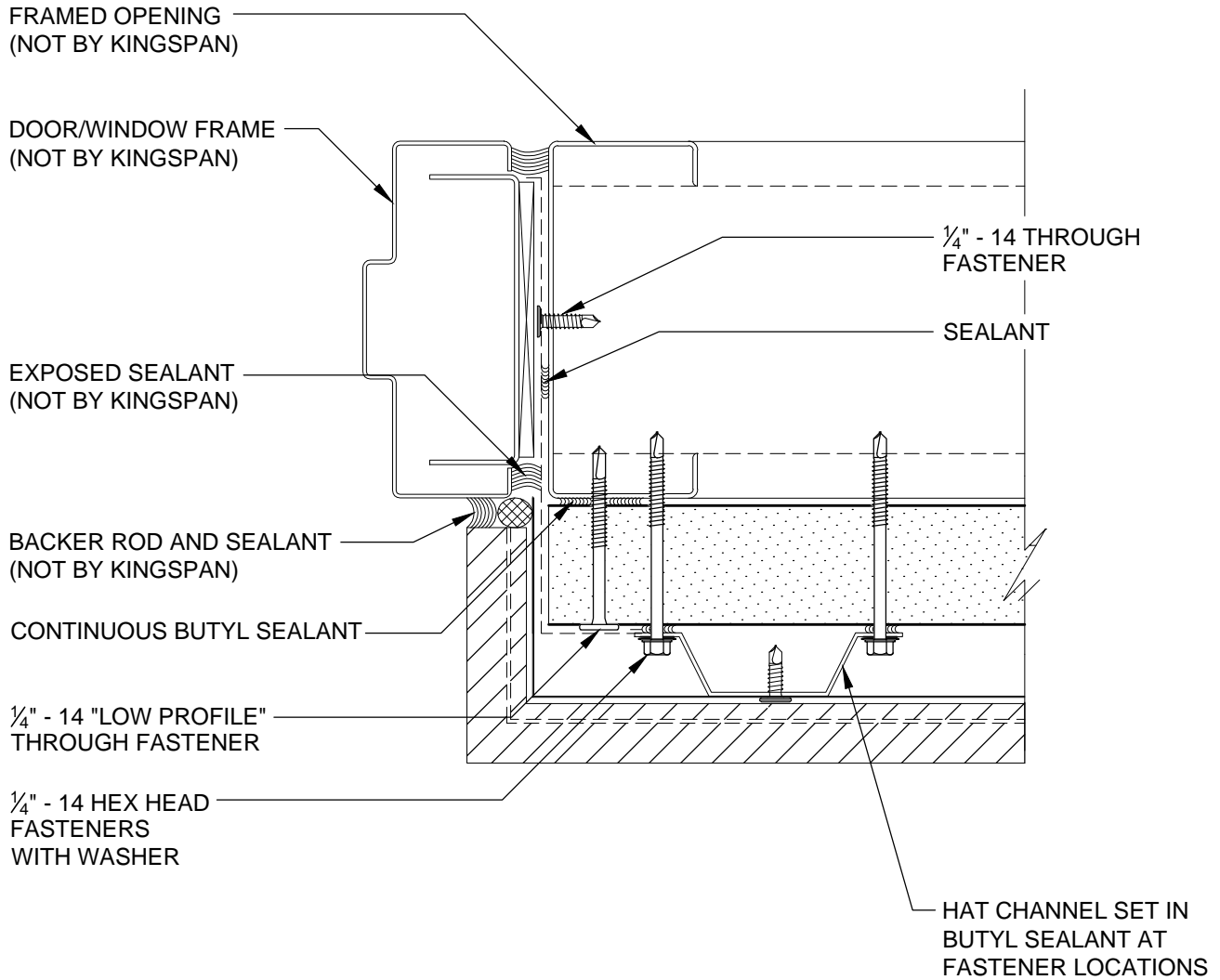
**FRAMED OPENING
HEAD**

DETAIL #: KPV-FO-01-MTLH

DATE: 08-13-14

www.kingspanpanels.us
www.kingspanpanels.ca

FACADES - BRICK



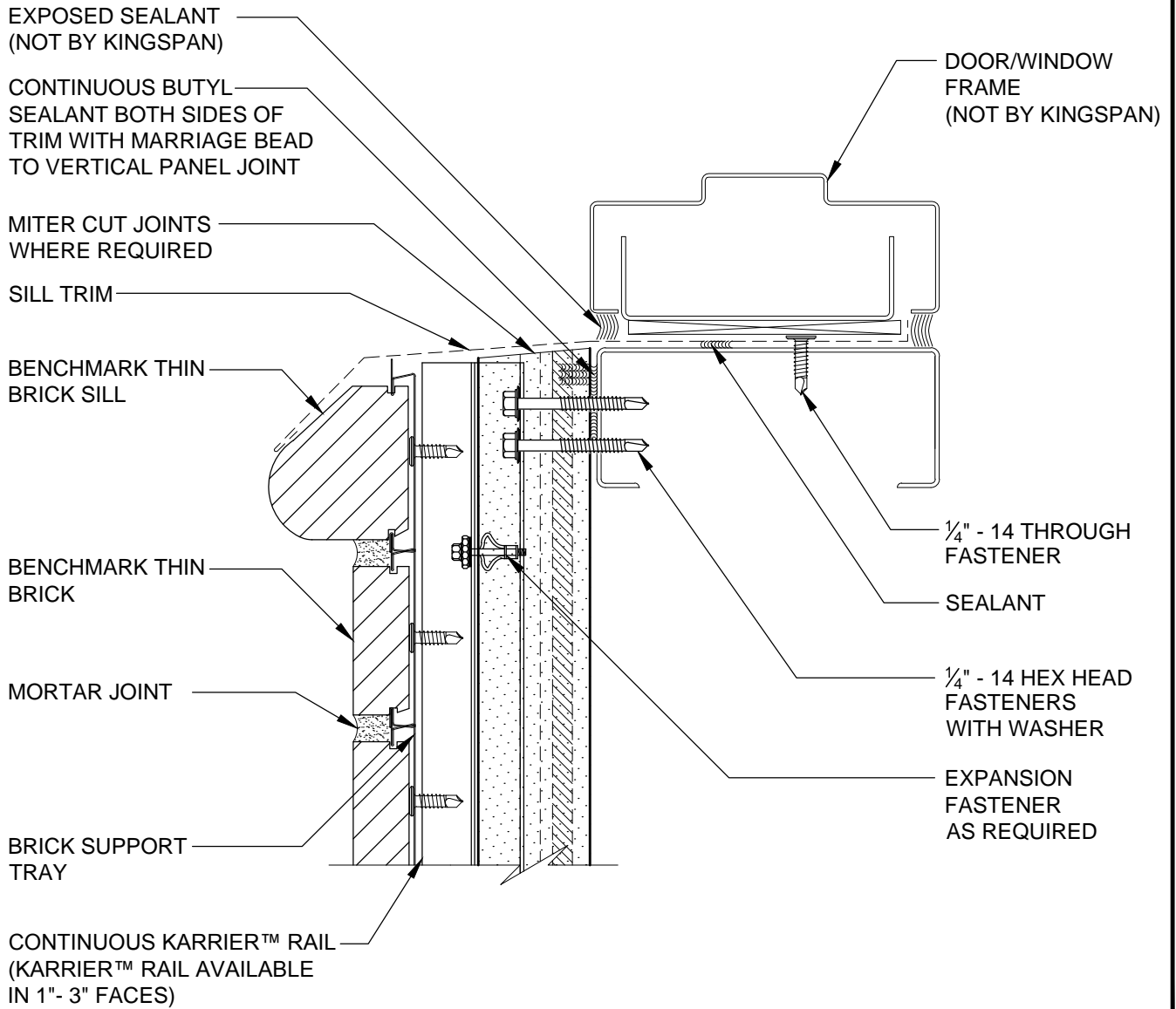
**FRAMED OPENING
JAMB**

DETAIL #: KPV-FO-02-BRH

DATE: 08-13-14

www.kingspanpanels.us
www.kingspanpanels.ca

FACADES - BRICK



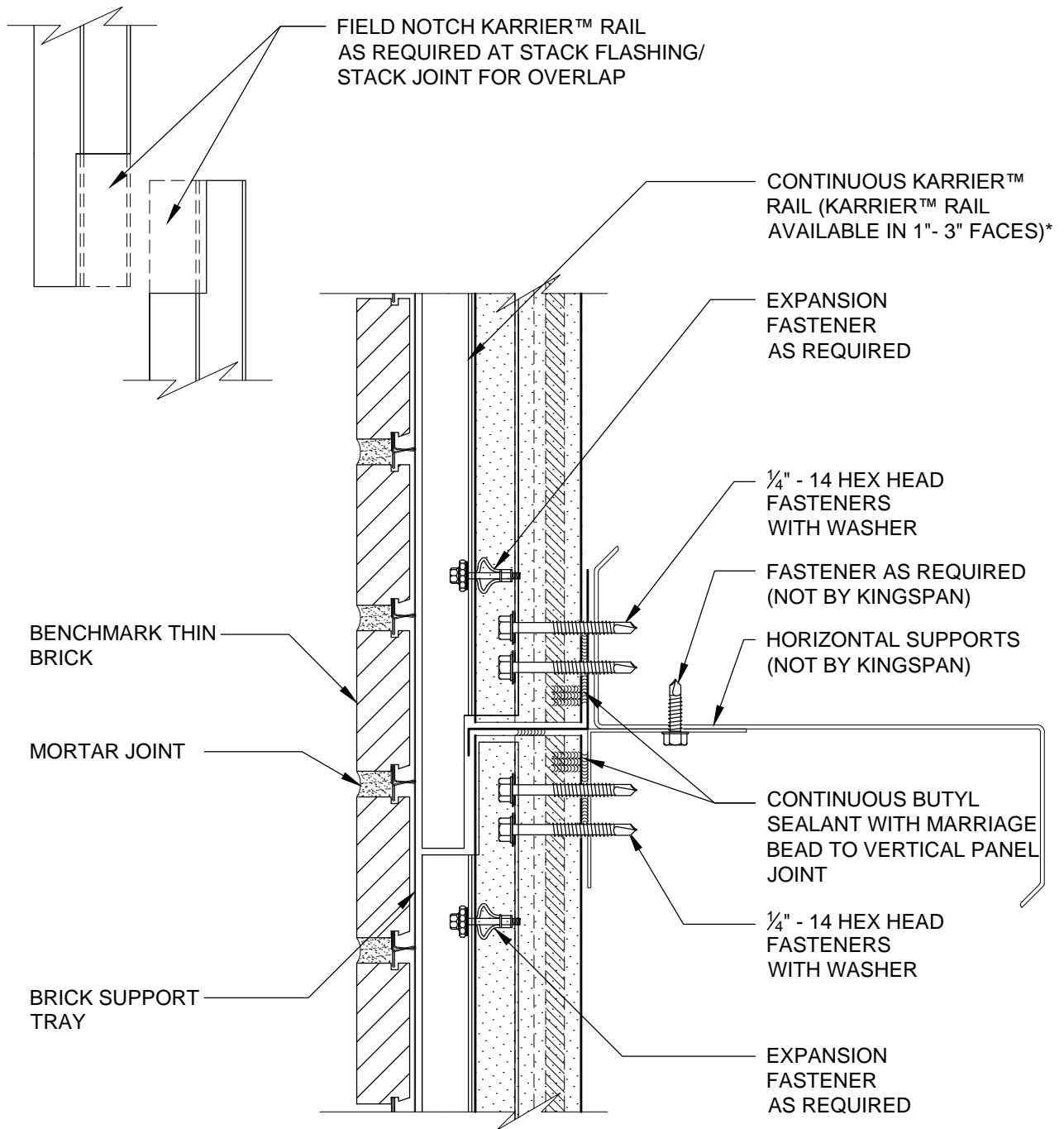
FRAMED OPENING SILL

DETAIL #: KPV-FO-03-BRH

DATE: 08-13-14

www.kingspanpanels.us
www.kingspanpanels.ca

FACADES - BRICK



NOTE: FIELD NOTCH KARRIER™ RAIL AS REQUIRED

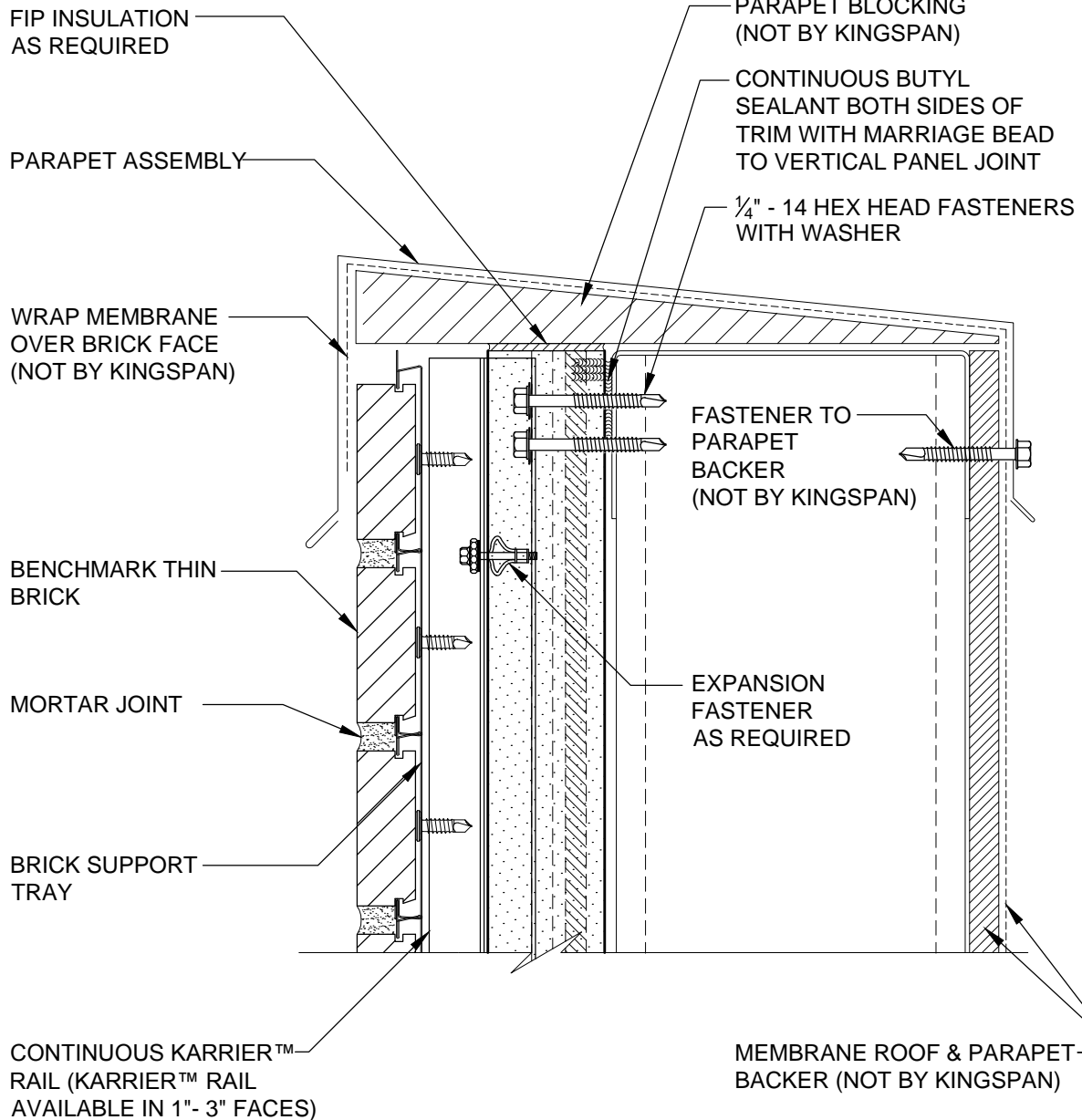
STACK JOINT

DETAIL #: KPV-SJ-01-MTLH

DATE: 08-13-14

www.kingspanpanels.us
www.kingspanpanels.ca

FACADES - BRICK



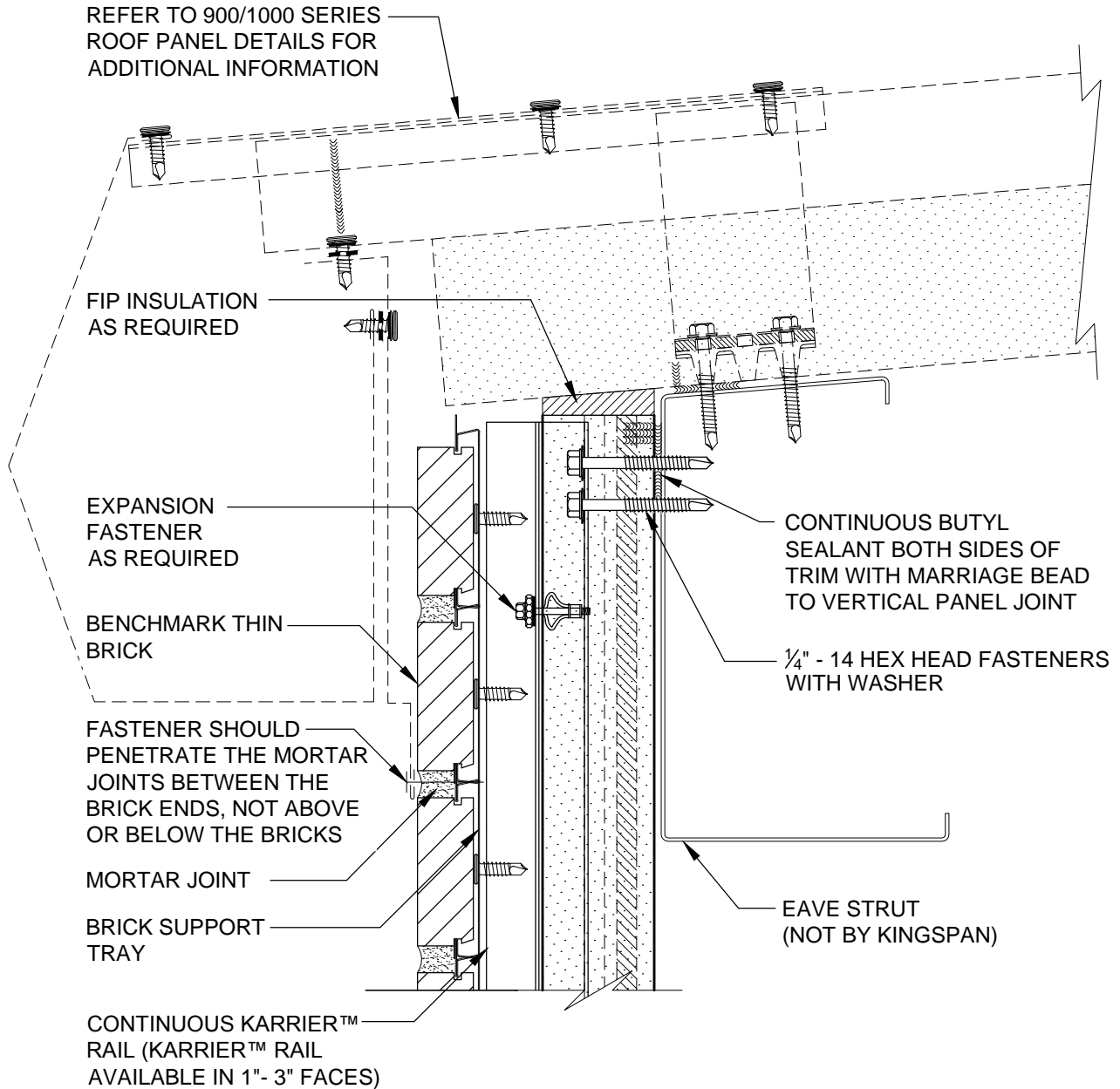
PARAPET DETAIL

DETAIL #: KPV-PR-01-MTLH

DATE: 08-13-14

www.kingspanpanels.us
www.kingspanpanels.ca

FACADES - BRICK



LOW EAVE DETAIL

DETAIL #: KPV-LE-01-MTLH

DATE: 08-13-14

www.kingspanpanels.us
www.kingspanpanels.ca

FACADES - BRICK

REFER TO 900/1000 SERIES
ROOF PANEL DETAILS FOR
ADDITIONAL INFORMATION

RAKE ANGLE
(NOT BY KINGSPAN)

FIP INSULATION
AS REQUIRED

EXPANSION
FASTENER
AS REQUIRED

BENCHMARK THIN
BRICK

FASTENER SHOULD
PENETRATE THE MORTAR
JOINTS BETWEEN THE
BRICK ENDS, NOT ABOVE
OR BELOW THE BRICKS

MORTAR JOINT

BRICK SUPPORT
TRAY

CONTINUOUS KARRIER™
RAIL (KARRIER™ RAIL
AVAILABLE IN 1" - 3" FACES)

CONTINUOUS BUTYL
SEALANT BOTH SIDES OF
TRIM WITH MARRIAGE BEAD
TO VERTICAL PANEL JOINT

1/4" - 14 HEX HEAD FASTENERS
WITH WASHER

RAKE ANGLE
(NOT BY KINGSPAN)

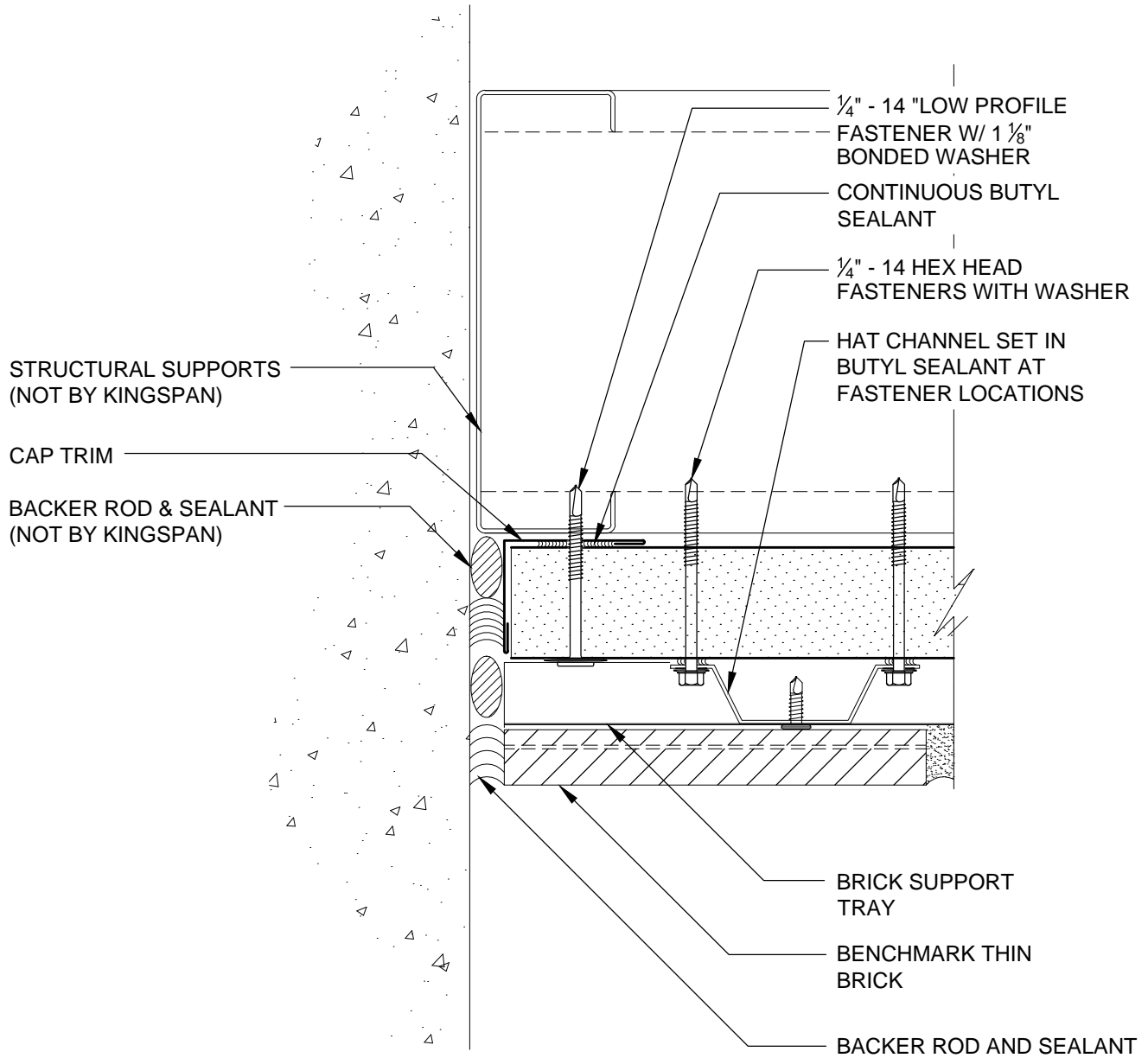
RAKE DETAIL

DETAIL #: KPV-RD-01-BRH

DATE: 08-13-14

www.kingspanpanels.us
www.kingspanpanels.ca

FACADES - BRICK



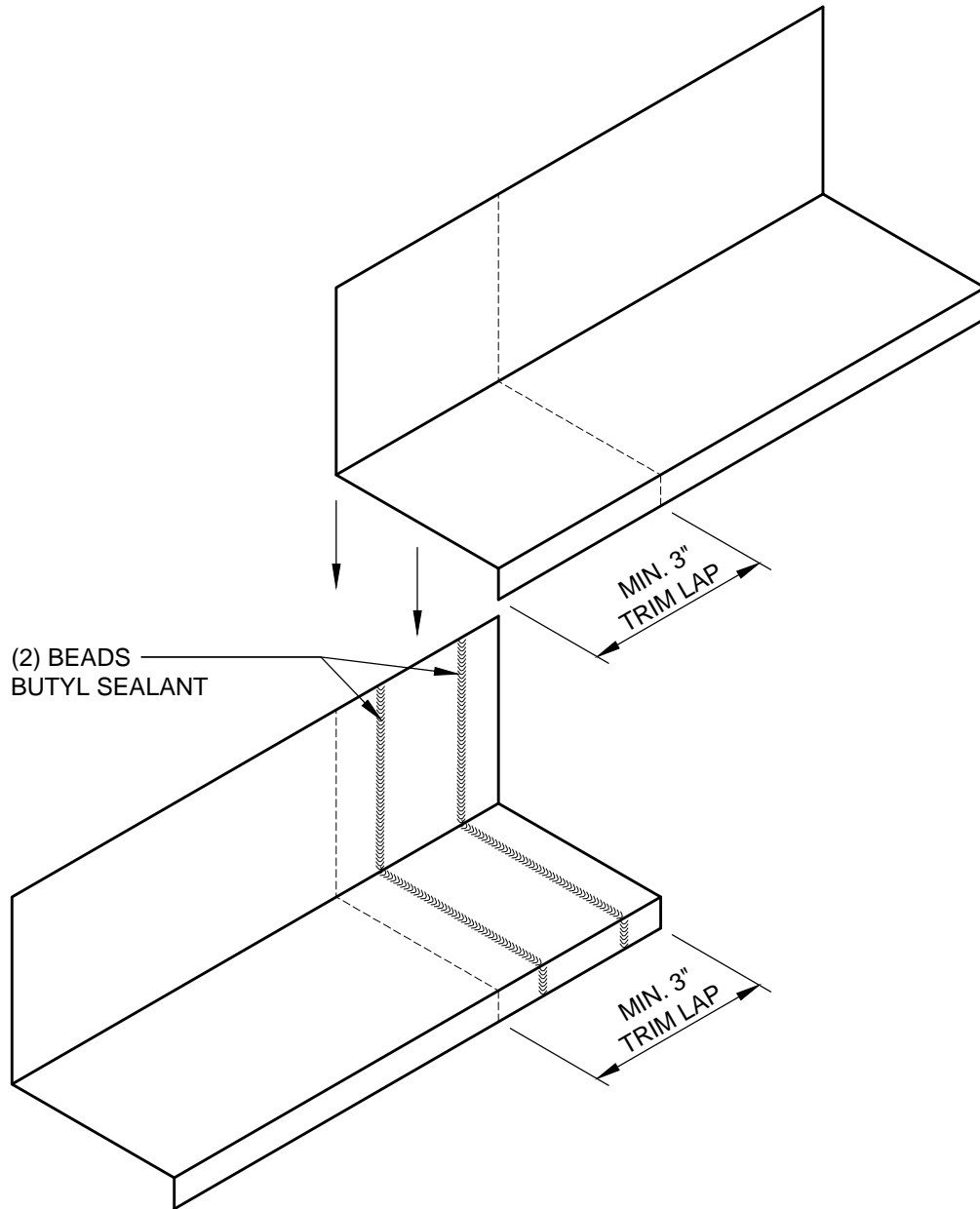
PANEL TERMINATION

DETAIL #: KPV-TP-01-MTLH

DATE: 08-13-14

www.kingspanpanels.us
www.kingspanpanels.ca

FACADES - BRICK



TRIM END LAP

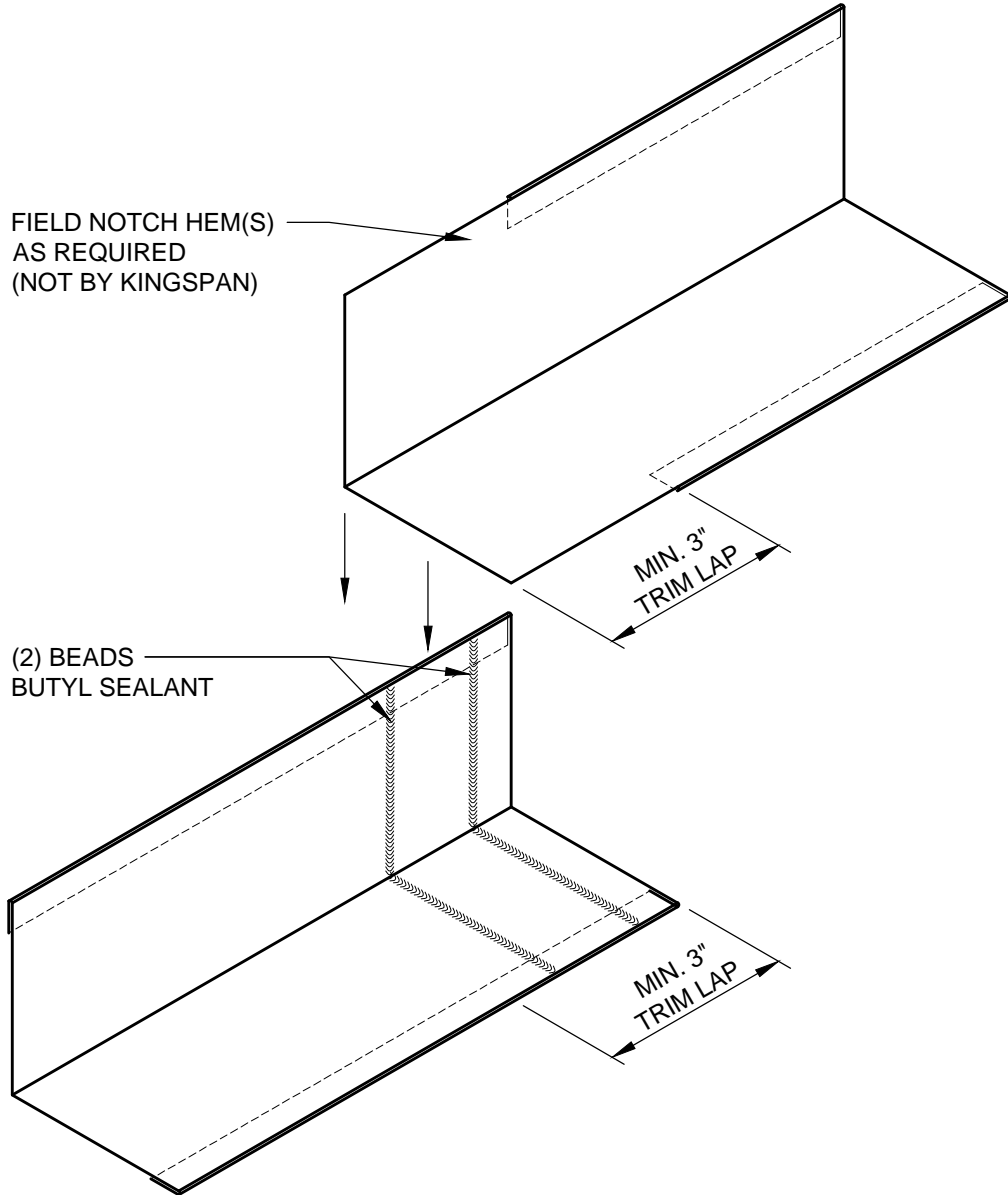
DETAIL #: KPV-TL-01-BRH

DATE: 08-13-14

© 2014 Kingspan Panels, Inc. All Rights Reserved. Kingspan Panels, Inc. is a registered trademark of Kingspan Group plc. Kingspan is a registered trademark of Kingspan Group plc.

www.kingspanpanels.us
www.kingspanpanels.ca

FACADES - BRICK



TRIM END LAP
WITH HEMS

DETAIL #: KPV-TL-02-MTLH

DATE: 08-13-14

www.kingspanpanels.us
www.kingspanpanels.ca